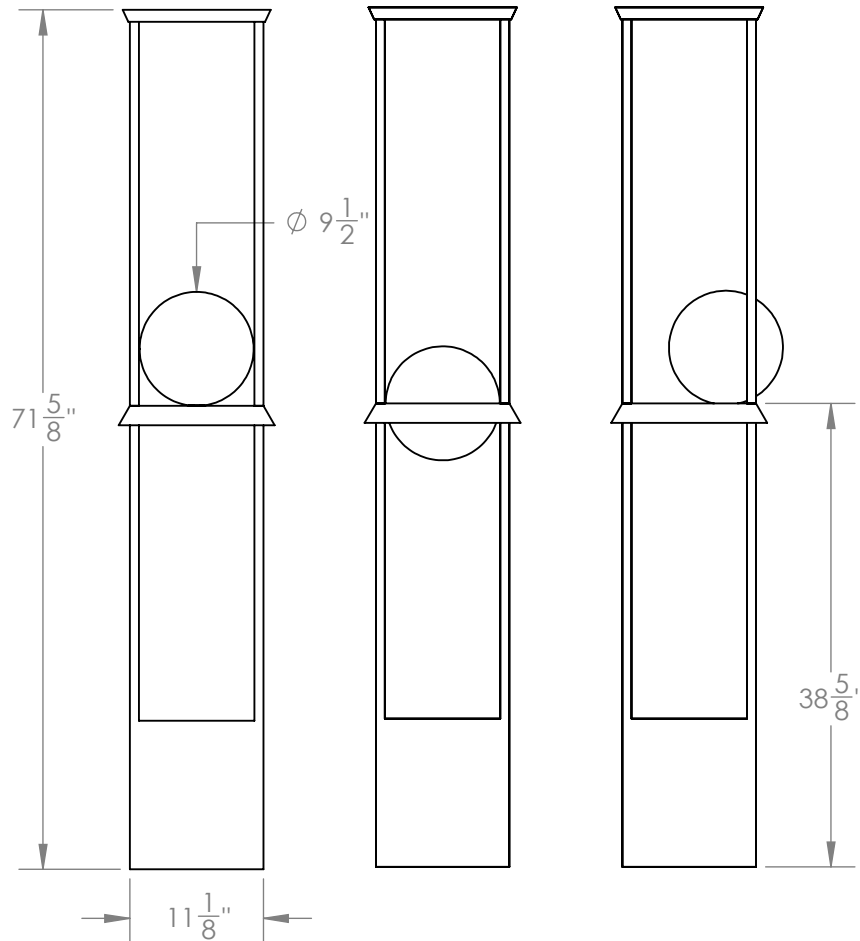


MOON CABINETS



Each of these three glass vitrine cabinets contains a marble sphere which has been meticulously hollowed out from an opening only 1.5" in diameter. This extremely delicate, exacting process takes months to perform and allows each sphere to emit a beautiful glow from the light source within.

Materials

Carrara Marble
Steel

Standard Finishes

Satin Black

Notes

Lamping: 1 G9 bulb per cabinet, max 75W each.
4.5W dimmable LED bulbs included. 450 lumens each,
2700K color temperature.
120V, UL approved.
Includes inline dimmer.

Retail

POA

Lead Time

10 to 12 weeks

Customization

Available - please contact us.