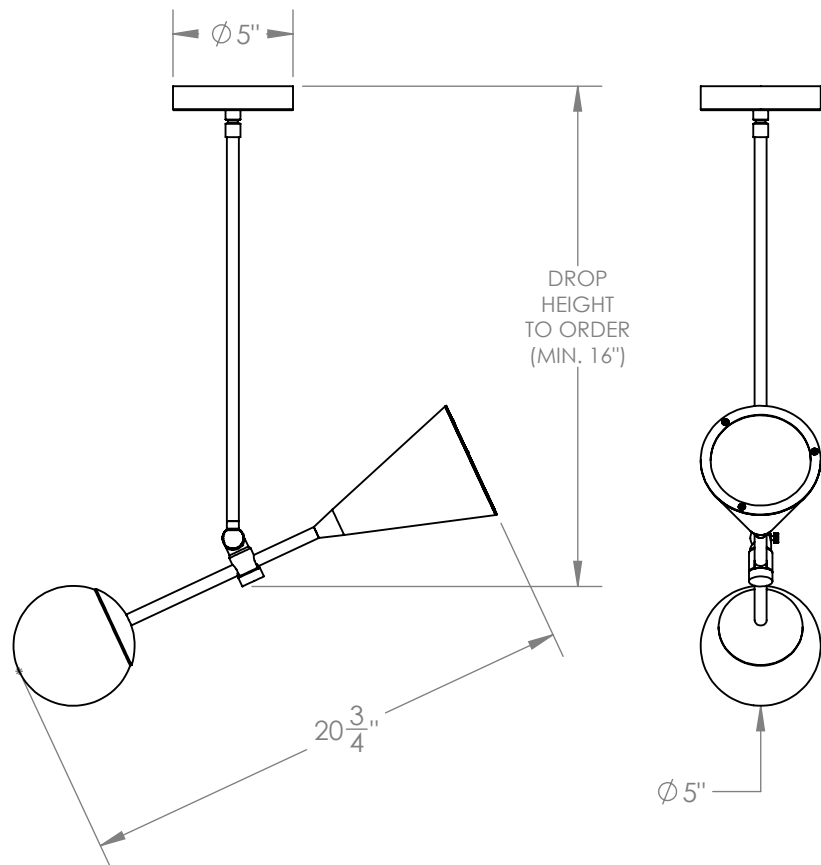


SPEAR PENDANT LIGHT

SMALL



A conical light source at one end and a handblown matte white glass orb on the other hold this piece in balance. The central hinge mechanism allows adjustment of the fixture to any desired angle.



Materials

Steel
Brass

Standard Finishes

Satin Black
White Frosted Glass

Dimensions

20-³/₄" W x 5" D x Variable H
Overall height to order - minimum 16"

Notes

Lamping: 2 E12 bulbs, max 75W each. 4.5W dimmable LED bulbs included. 450 lumens each, 2700K color temperature. 120V, UL approved. (240V available)

Retail

\$3,000

Lead Time

8-10 Weeks

Customization Available - please contact us.