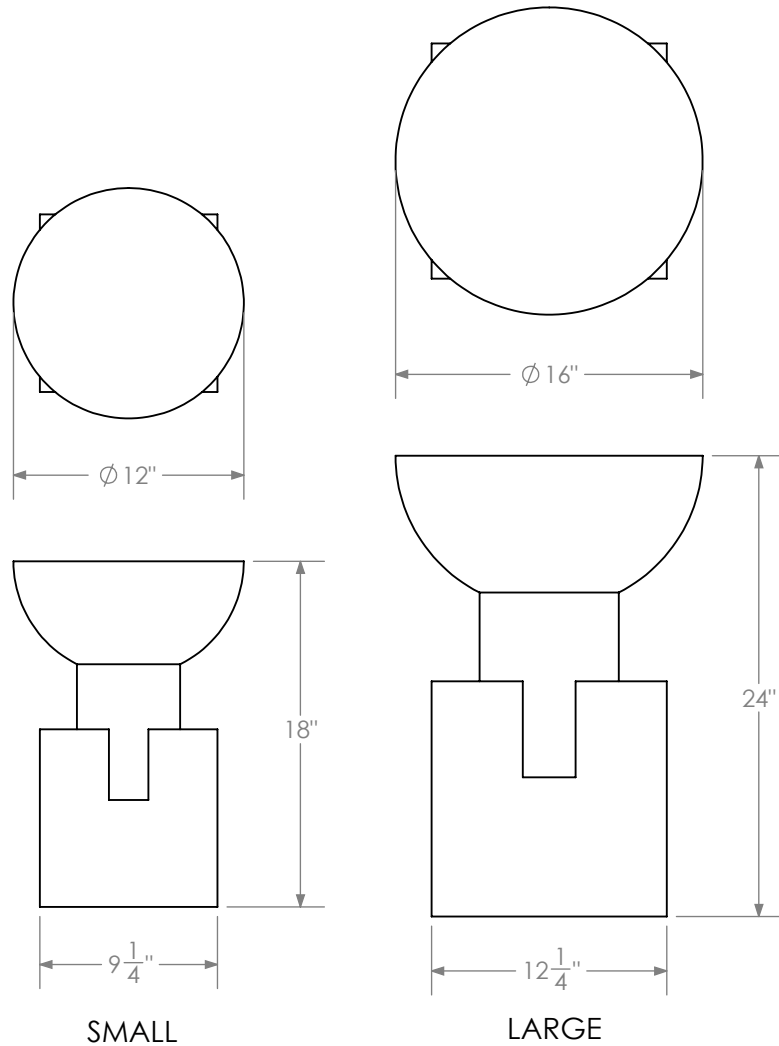


# BLOCK SIDE TABLE - WOOD



Two interlocking shapes constructed from solid wood, in a fine satin finish.

### Materials

Wood

### Standard Finishes

Ash  
Ebonized Oak  
White Oak

### Dimensions

12" W x 18" H x 12" D  
16" W x 24" H x 16" D

### Notes

### Retail

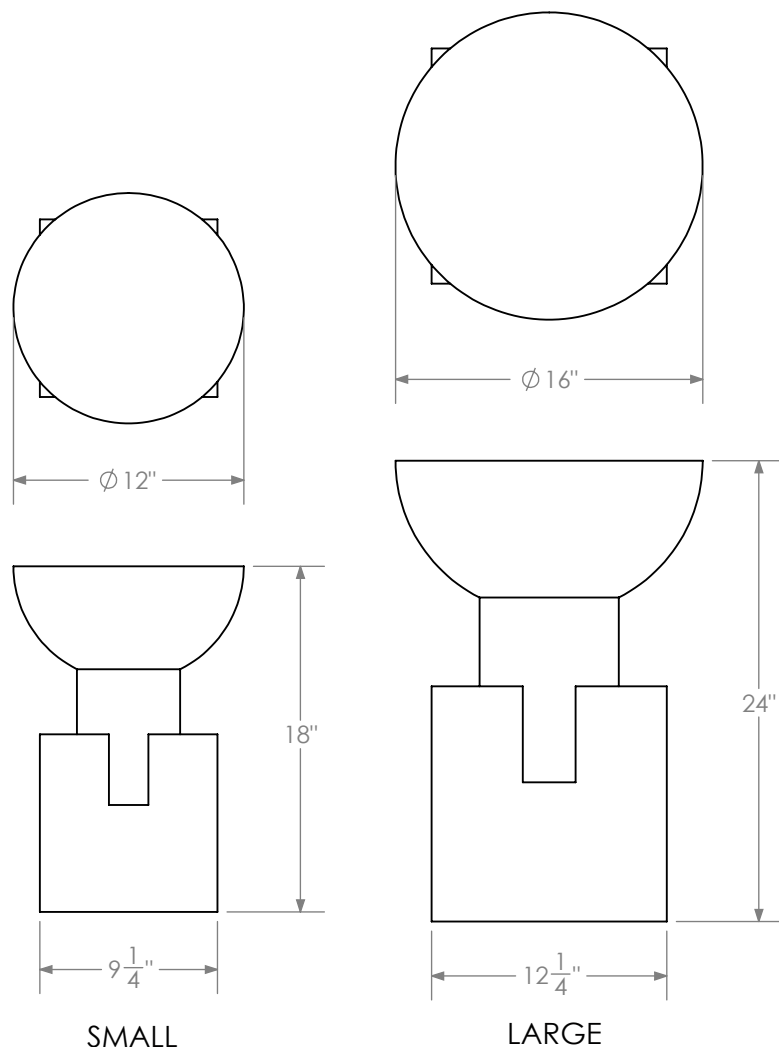
Small: \$6,000  
Large: \$6,500

### Lead Time

8-10 Weeks

**Customization** Available - please contact us. **Weight** ~15 lbs

# BLOCK SIDE TABLE - METAL



Made of cold rolled steel, the table is finished in a light antique brass with a dark antique brass block base. The contrasting finishes accentuate the interlocking shapes.

### Materials

Steel

### Standard Finishes

Light Antique Brass  
 Dark Antique Brass  
 Light Antique Nickel  
 Dark Antique Nickel

### Dimensions

12" W x 18" H x 12" D  
 16" W x 24" H x 16" D

### Notes

### Retail

Small: \$4,750  
 Large: \$6,250

### Lead Time

8-10 Weeks

**Customization** Available - please contact us. **Weight** ~15 lbs