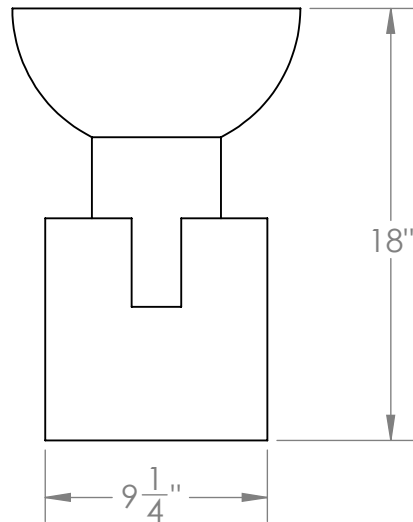
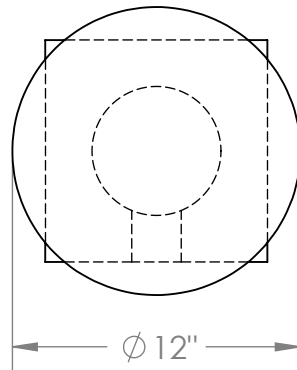


BLOCK SIDE TABLE, STANDARD



Made of cold rolled steel, the table is finished in a light antique brass with a dark antique brass block base. The contrasting finishes accentuate the interlocking shapes.



Materials

Steel
Wood

Standard Finishes

Light Antique Brass + Dark Antique Brass
Light Antique Nickel + Dark Antique Nickel
Ash
Ebonized Oak
White Oak

Dimensions

12" W x 18" H x 12" D

Retail

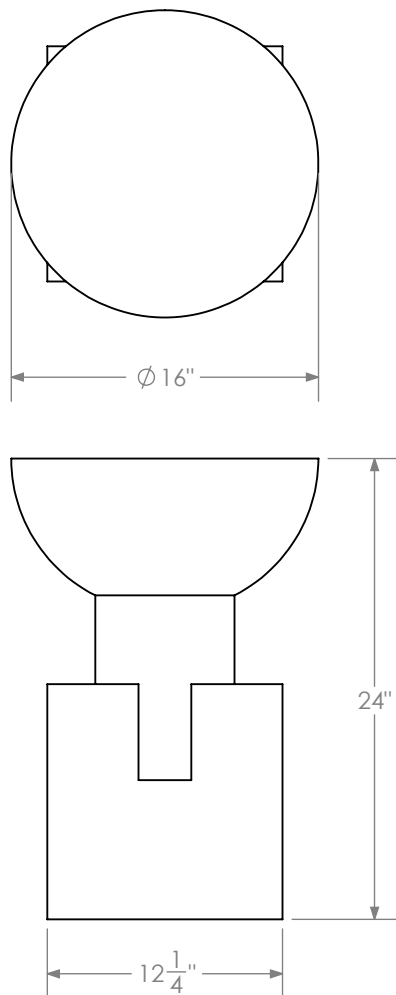
Metal: \$5,250
Wood: \$6,500

Lead Time

8-10 Weeks

Customization Available - please contact us. **Weight** ~15 lbs

BLOCK SIDE TABLE, LARGE



Made of cold rolled steel, the table is finished in a light antique brass with a dark antique brass block base. The contrasting finishes accentuate the interlocking shapes.

Materials

Steel
Wood

Standard Finishes

Light Antique Brass + Dark Antique Brass
Light Antique Nickel + Dark Antique Nickel
Ash
Ebonized Oak
White Oak

Dimensions

16" W x 24" H x 16" D

Retail

Metal: \$7,250
Wood: \$8,500

Lead Time

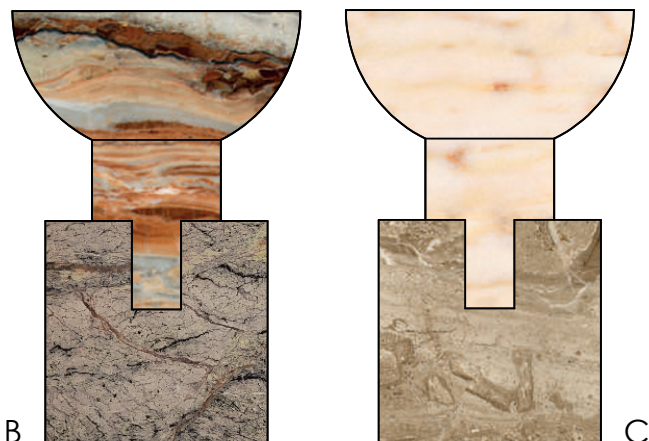
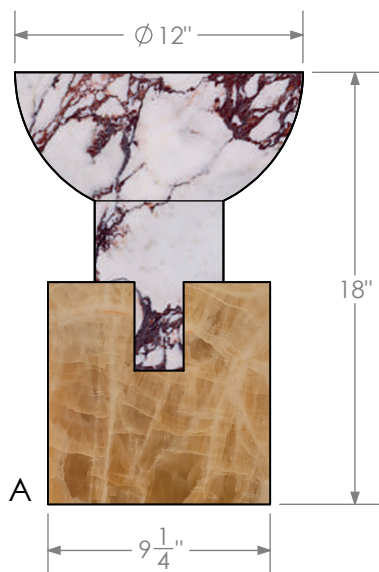
8-10 Weeks

Customization Available - please contact us. **Weight** ~15 lbs

MARBLE BLOCK SIDE TABLE



Interlocking shapes in contrasting colors of marble make up this sculptural side table.



Materials

Honed Marble

Standard Finishes

A: Calacatta Viola Top,
Onice Marrone Base
B: Arabescato Rosso Orobico
Top, Picasso Green Base
C: Rosa Portogallo Top,
Breccia Sarda Base

Dimensions

12" W x 18" H x 12" D

Notes

When ordering, please specify color A, B, or C.

Retail

A: \$10,250
B or C: \$9,250

Lead Time

10-12 Weeks

Customization Available - please contact us. **Weight** ~80 lbs