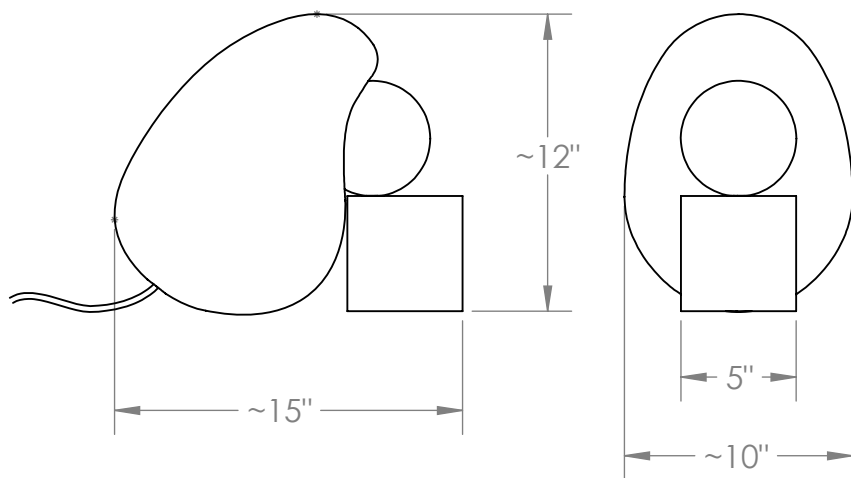


# DIMPLE LIGHT



Dimple explores the idea of dependency and support in both an emotional and physical sense, represented in this piece by the inherent material qualities of glass, metal and marble. While the glass is still hot and in the hand blowing stage, an impression is made in the glass oviform, allowing the carved marble sphere to nestle in the resulting dimple. The assemblage rests on a brass cube with a hand antiqued finish.



## Materials

Glass  
Steel  
Pink Portuguese Marble

## Standard Finishes

Alabaster White Glass  
Pink Portuguese Marble  
Antique Brass

## Notes

Lamping: 1 G9 bulb, max 75W each.  
4.5W dimmable LED bulb included. 450 lumens each,  
2700K color temperature.  
120V, UL approved.  
Includes inline dimmer.

## Retail

\$5100

## Lead Time

8 to 10 weeks

## Customization

Available - please contact us.