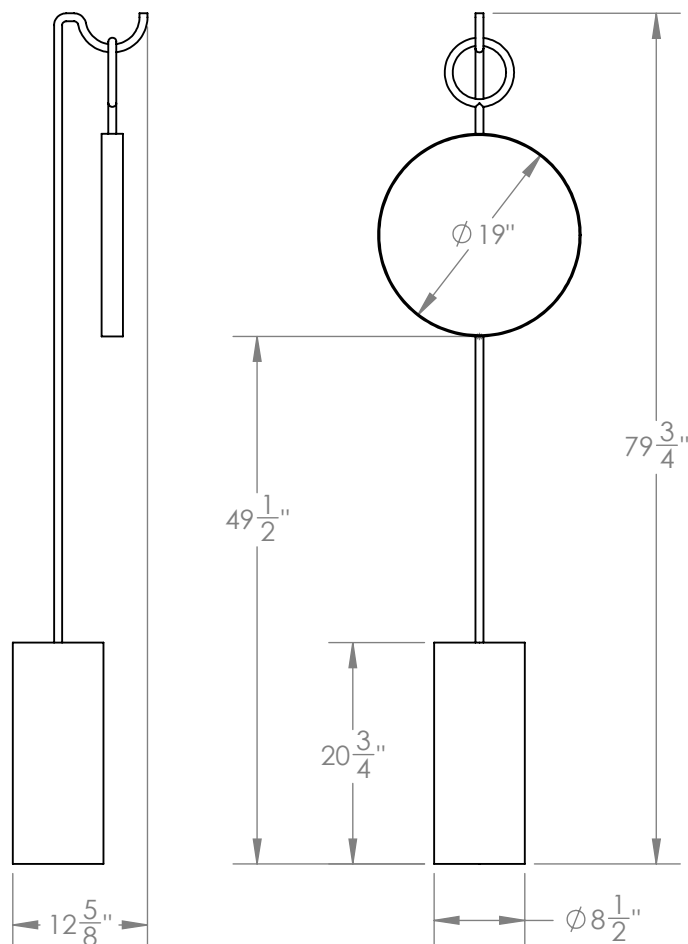


HANGING MIRROR



A round mirror, inset deeply in its frame, hangs on a loop from the hook of its accompanying base. This sculptural piece is hand finished in either a rich warm black or antique brass.

Materials

Steel
Glass Mirror

Standard Finishes

Satin Black
Antique Brass

Dimensions

19" W x 79-3/4" H x 12-5/8" D

Notes

Retail

\$7,000

Lead Time

8-10 Weeks

Customization Available - please contact us.