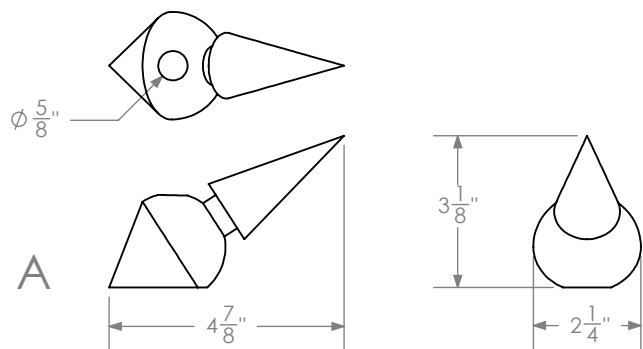
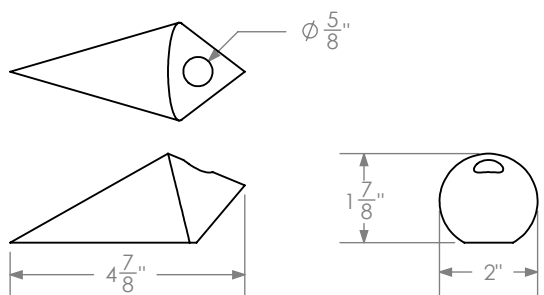


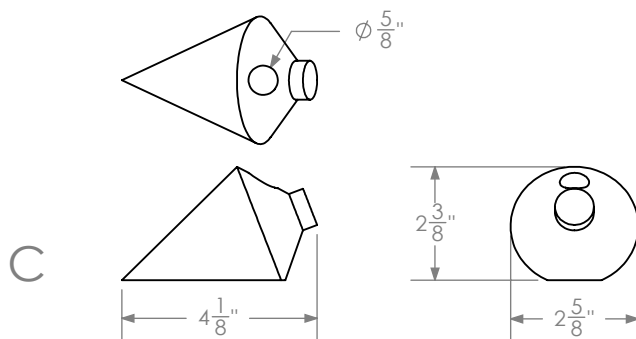
CANDLEHOLDER



A



B



C

Inspired by the shapes of plumb weights, these solid brass candleholders are available individually or as a set.

Materials

Brass

Standard Finishes

Polished Brass

Dimensions

A: 4-7/8" W x 3-1/8" H x 2-1/4" D

B: 4-7/8" W x 1-7/8" H x 2" D

C: 4-1/8" W x 2-3/8" H x 2-5/8" D

Notes

Available with handmade Danish tapered candles, sold separately.

Please contact us for details.

Retail

Set \$620

Each \$210

Lead Time

Customization

Available - please contact us.