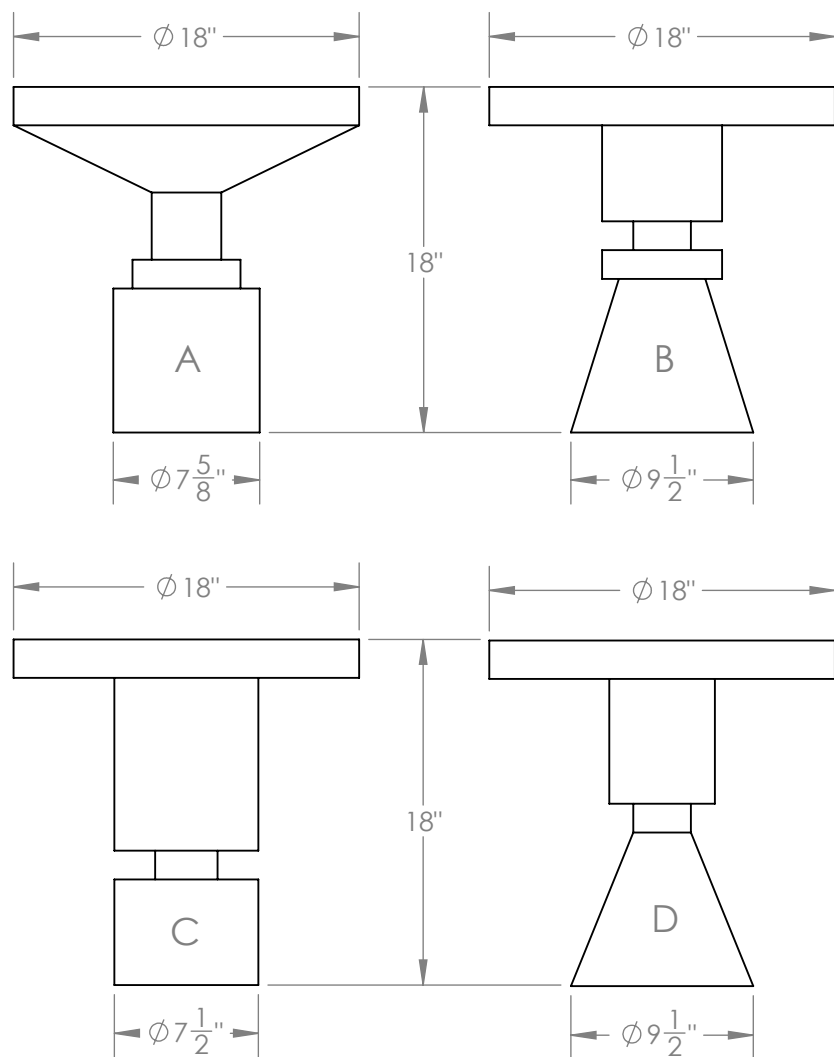


CHESS PIECE SIDE TABLES



Like chess pieces dotted across a board, these sculptures are placed throughout a room. They are made to work in series or alone. Each piece is made from cold rolled steel, then brass plated and finished with a hand rubbed patina.

Materials

Steel

Standard Finishes

Antique Brass

Dimensions

18" W x 18" H x 18" D

Notes

When ordering, please specify shape A, B, C, or D.

Retail

\$4,400

Lead Time

8-10 Weeks

Customization

Available - please contact us.