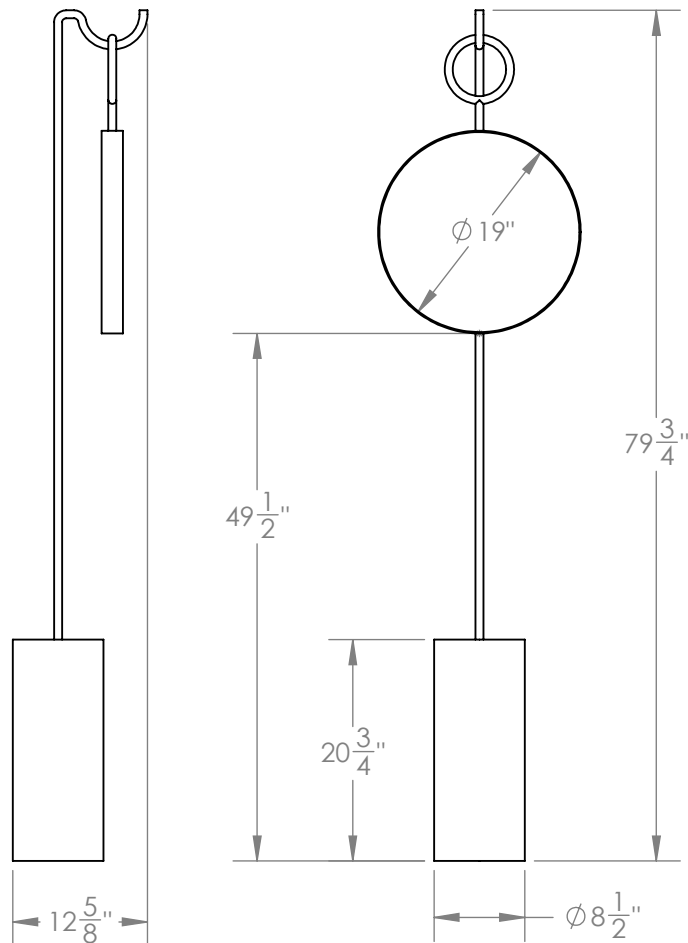


# HANGING MIRROR



A round mirror, inset deeply in its frame, hangs on a loop from the hook of its accompanying base. This sculptural piece is hand finished in either a rich warm black or antique brass.

### Materials

Steel  
Glass Mirror

### Standard Finishes

Satin Black  
Antique Brass

### Dimensions

19" W x 79-3/4" H x 12-5/8" D

### Notes

### Retail

\$4,425

### Lead Time

8-10 Weeks

**Customization** Available - please contact us.