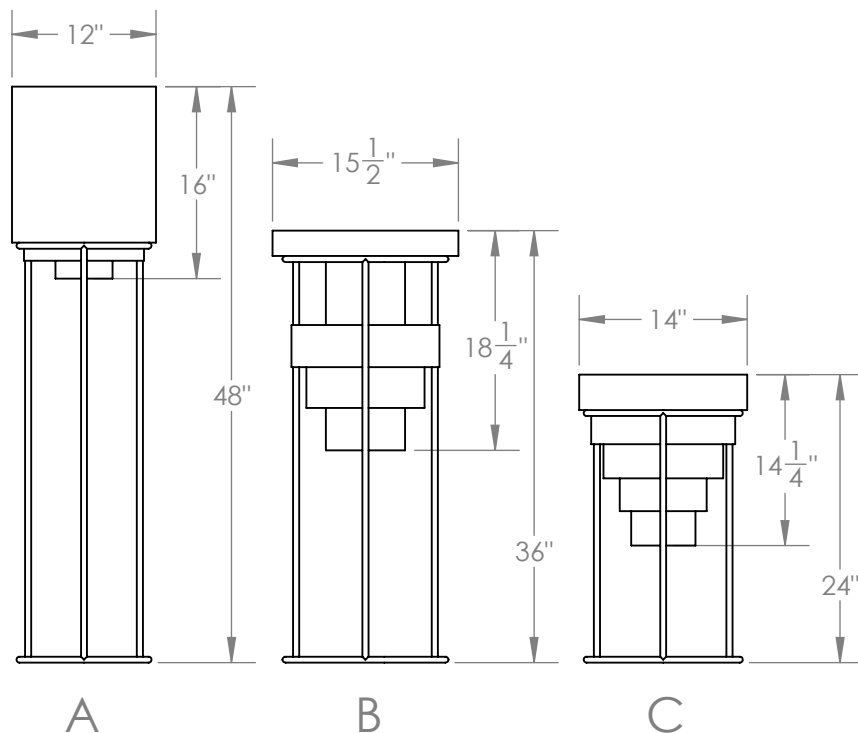


LAYERED PLANTERS



These geometric, elevated planters are available in three different configurations.



Materials

Stainless Steel

Standard Finishes

Satin Black

Dimensions

- A: 12" W x 16" H (48" overall H)
- B: 15-1/2" W x 18-1/4" H (36" overall H)
- C: 14" W x 14-1/4" H (24" overall H)

Notes

Fill base with rocks to allow for proper draining.
Stand height can be customized as necessary.

Retail

\$4,825

Lead Time

8-10 Weeks

Customization

Available - please contact us.