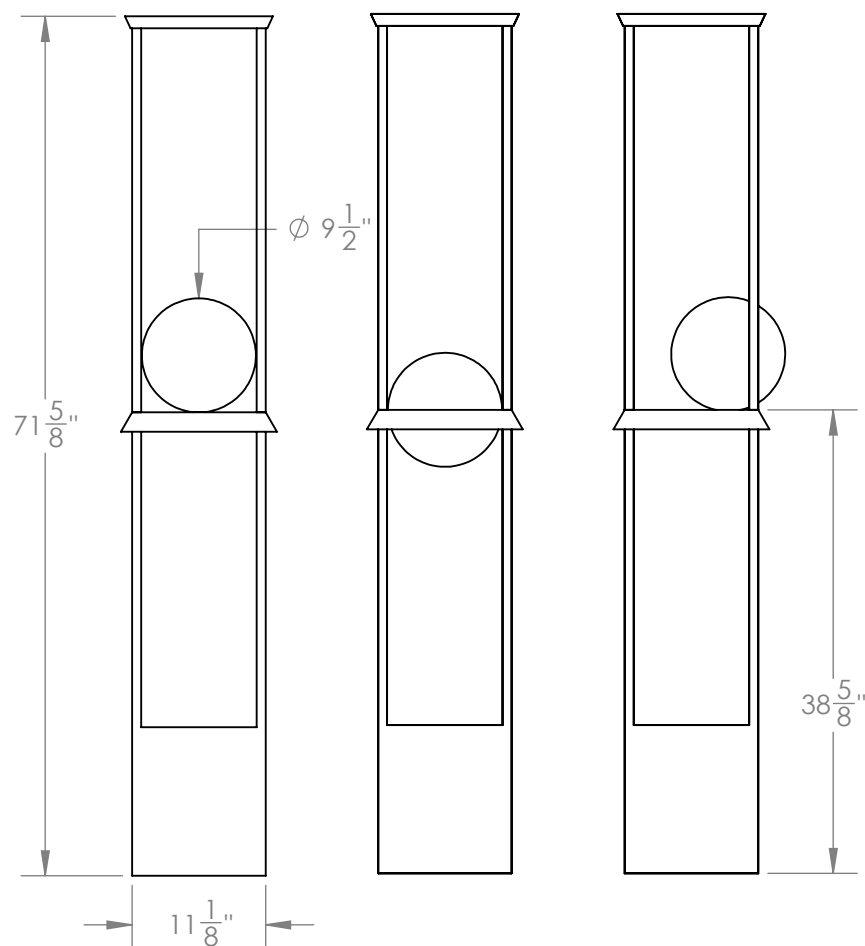


MOON CABINETS



Each of these three glass vitrine cabinets contains a sphere made from a solid piece of marble which has been meticulously hollowed out from an opening only 1.5" in diameter. This extremely delicate, exacting process takes months to perform and allows each sphere to emit a beautiful glow from the light source within.

Materials

Carrara Marble
Steel

Standard Finishes

Satin Black

Dimensions

13" W x 71-5/8" H x 13" D
Inline dimmer: 2-3/8" x 2-3/8" x 2"

Notes

Lamping: 1 G9 bulb per cabinet, max 75W each. 4.5W dimmable LED bulb included. 450 lumens each, 2700K color temperature. 120V/240V. Specify voltage and plug type. Includes 84" cord, with inline dimmer 24" from fixture. Priced Individually. Limited edition - please inquire for availability.

Retail

\$18,400

Lead Time

10-12 Weeks

Customization Available - please contact us.