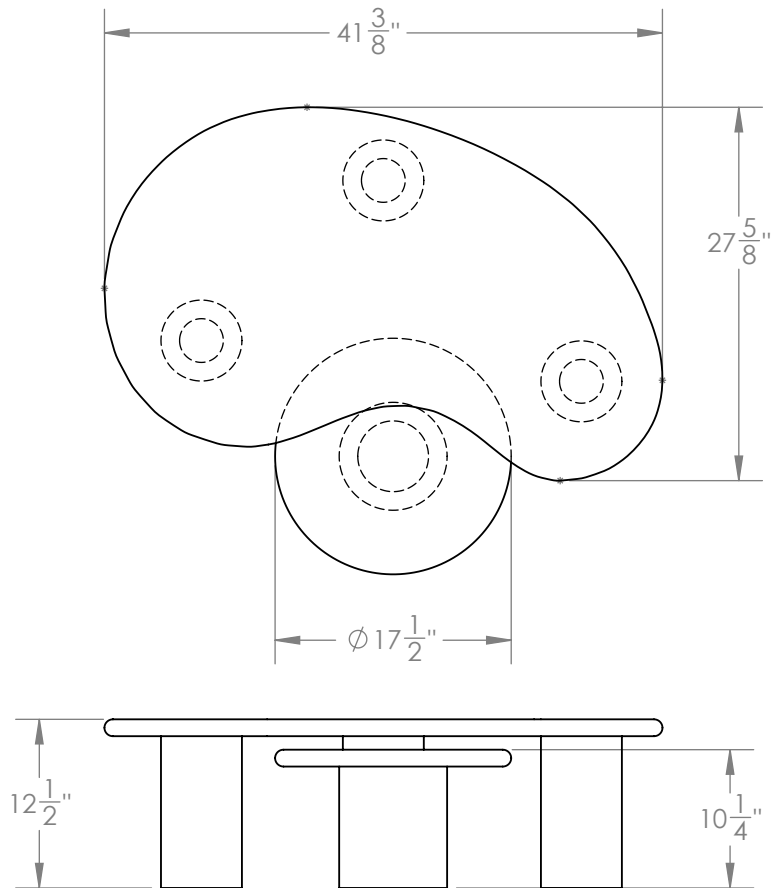


PUDDLE - TRAVERTINE



Made from carved Travertine, these tables nest perfectly and can be moved individually to suit the space.



Materials

Travertine

Standard Finishes

Unfilled, Honed

Dimensions

Table 1: 41-³/₈" W x 12-¹/₂" H x 27-⁵/₈" D

Table 2: 17-¹/₂" W x 10-¹/₄" H x 17-¹/₂" D

Notes

Travertine is a natural material and therefore variations in tone and striation are to be expected.

Retail

\$14,750

Lead Time

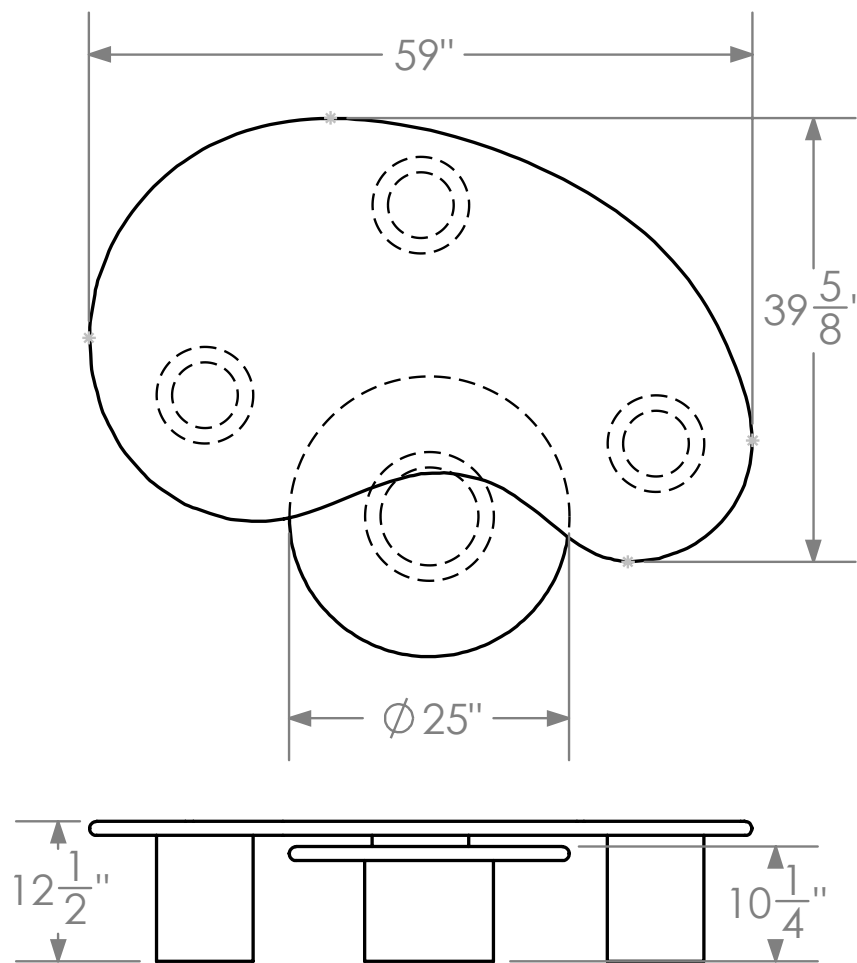
8-10 Weeks

Customization Available - please contact us. **Weight** ~150 lbs (large)
~50 lbs (small)

PUDDLE - TRAVERTINE, LARGE



Made from carved Travertine, these tables nest perfectly and can be moved individually to suit the space.



Materials

Travertine

Standard Finishes

Unfilled, Honed

Dimensions

Table 1: 59" W x 12-1/2" H x 39-5/8" D

Table 2: 25" W x 10-1/4" H x 25" D

Notes

Travertine is a natural material and therefore variations in tone and striation are to be expected.

Retail

\$25,000

Lead Time

8-10 Weeks

Customization Available - please contact us. **Weight** ~250 lbs (large)
~100 lbs (small)