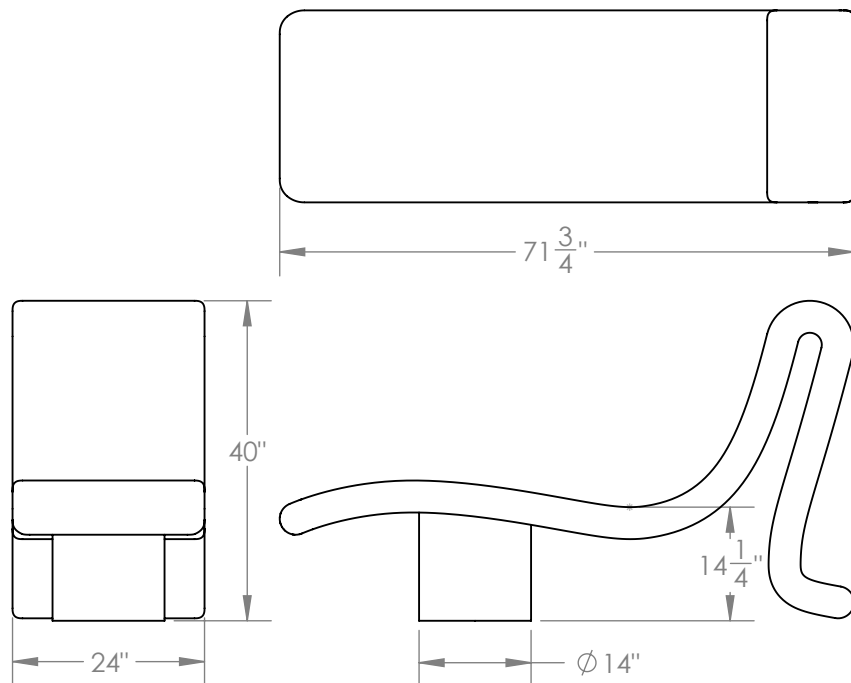


# SLUMP CHAISE



Made to work from every viewpoint, this wonderfully comfortable chaise combines maple burl with soft lines.



## Materials

Wood  
Cotton/Linen Blend

## Standard Finishes

Burl Veneer  
Cream Boucle

## Dimensions

24" W x 40" H x 71-<sup>3</sup>/<sub>4</sub>" D

## Notes

Available with COM fabric upon request.  
Please inquire for current veneer availability.

## Retail

\$18,000

## Lead Time

10-12 Weeks

**Customization** Available - please contact us.