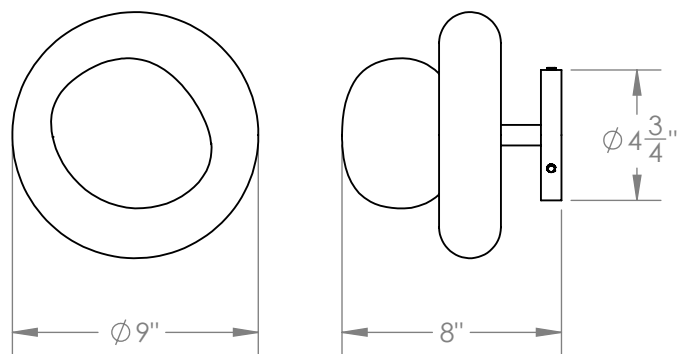


CELL SCONCE



An organic clay sculpture that has been cast in hot-patinated bronze. The addition of hand-blown glass completes this sculptural light form.



Materials

Cast Bronze
Glass
Brass

Standard Finishes

Sulfur Bronze
White Frosted Glass

Dimensions

9" W x 9" H x 8" D

Notes

Lamping: 1 G9 bulb, max 75W. 4.5W dimmable LED bulb included. 450 lumens, 2700K color temperature.

120V, UL approved. (240V available)

Available with wall plug and inline dimmer: +\$250. Also available as a pendant upon request.

Retail

\$10,750

Lead Time

22-24 Weeks

Customization Available - please contact us. **Weight** ~20 lbs