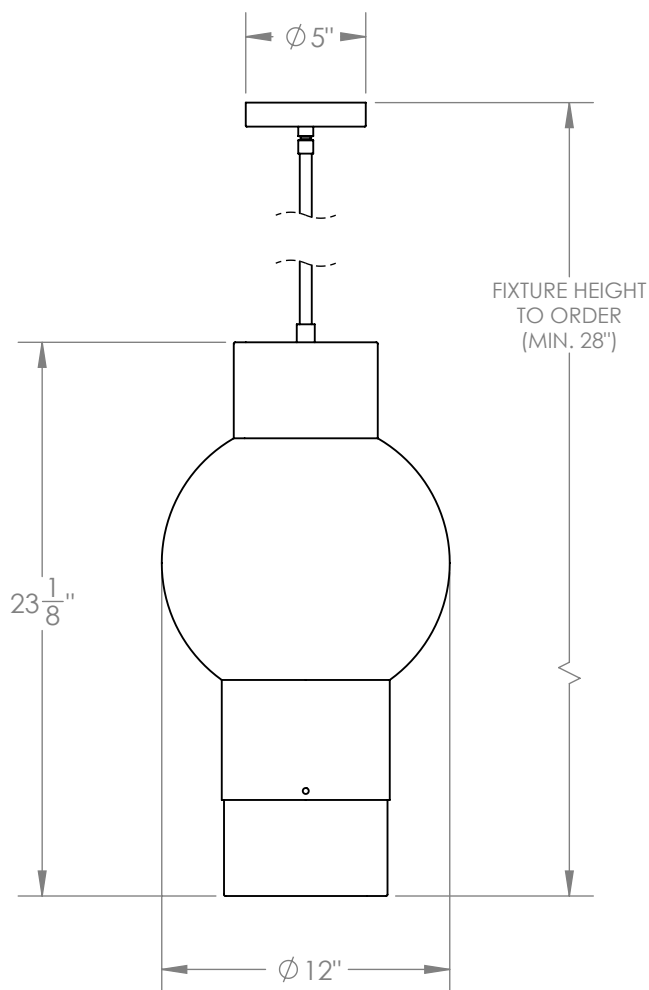


LANTERN PENDANT - LARGE



The Large Lantern Pendant presents a finely balanced form with a hand-finished antique brass patina accompanied by a frosted glass diffuser. The piece provides a warm glow and a unique moment of interest wherever it is placed.

Materials

Brass
Steel
Glass

Standard Finishes

Antique Brass
Light Antique Nickel
White Frosted Glass

Dimensions

12" W x 21-1/8" H x 12" D
Overall height to order - minimum 28"

Notes

Lamping: 3 E26 bulbs, max 75W. 5.5W dimmable LED bulb included.
465 lumens, 2700K color temperature.
120V, UL approved. (240V available)

Retail

\$7,500

Lead Time

8-10 Weeks

Customization Available - please contact us. **Weight** ~15 lbs