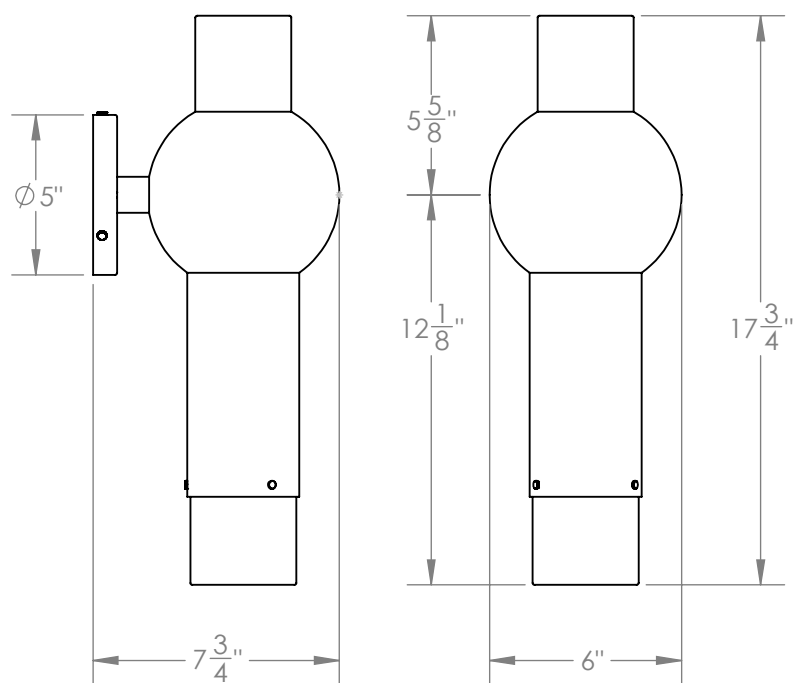


LANTERN SCONCE - LONG



A finely balanced form of hand-finished brass-plated steel with a frosted glass diffuser.



Materials

Brass
Steel
Glass

Standard Finishes

Antique Brass
Light Antique Nickel
White Frosted Glass

Dimensions

6" W x 17-³/₄" H x 7-³/₄" D

Notes

Lamping: 1 E12 bulb, max 75W. 4.5W dimmable LED bulb included. 450 lumens, 2700K color temperature.
120V, UL approved. (240V available)
Available with wall plug and inline dimmer: +\$250.

Retail

\$4,250

Lead Time

8-10 Weeks

Customization Available - please contact us. **Weight** ~5 lbs