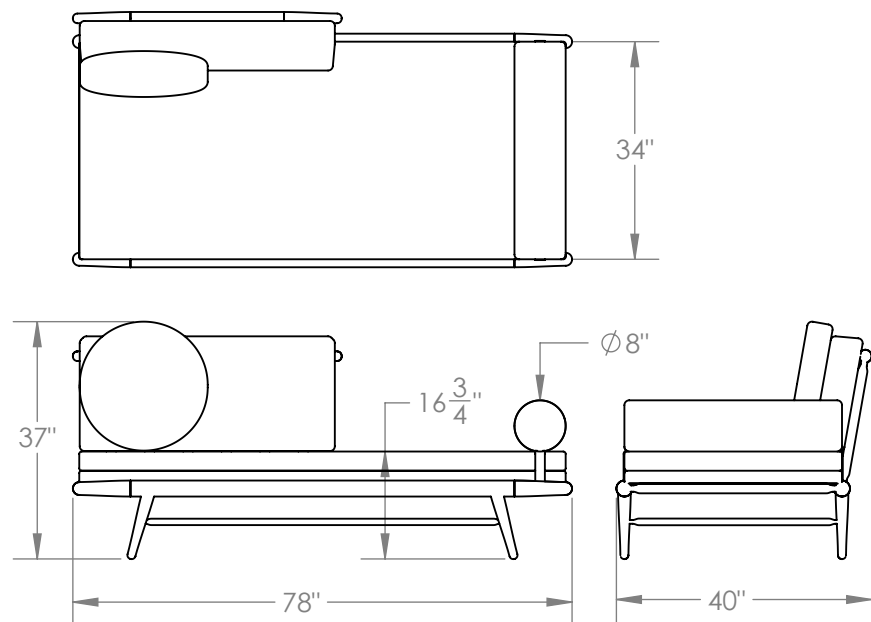


MILK DAY BED



Made from maple stained to a rich black and upholstered in fabric from our Japanese Textile Collection. The intricate “milk bottle” shaped detail on the joinery gives rise to the name of the piece.



Materials

Hard Maple
Textile

Standard Finishes

Ebony Stain
Japanese Textile

Dimensions

78" W x 37" H x 40" D

Notes

Prices DO NOT include material from our Japanese Textile series, as pictured. Also available with COM (12 yards).

Retail

\$19,750

Lead Time

18-20 Weeks

Customization Available - please contact us. **Weight** ~245 lbs