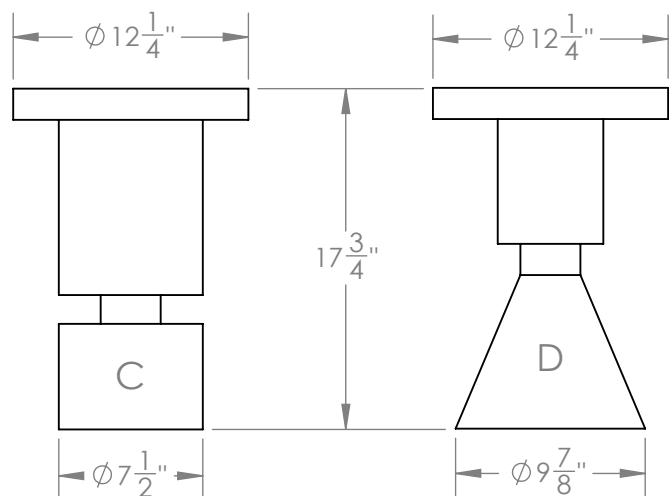
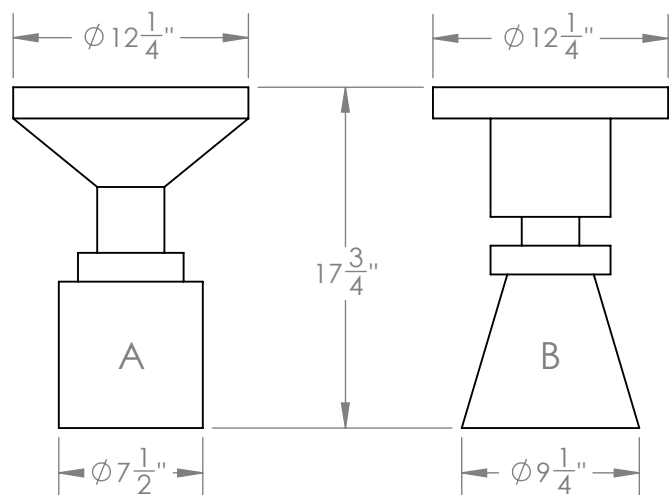


CHESS PIECE STOOLS

ORIGINAL



Like chess pieces dotted across a board, these sculptures can be placed throughout a room. Used as side tables or stools, they are made to work in series or alone. Metal stools are made from cold rolled steel, brass plated and finished with a hand rubbed patina. Wood and parchment stools are hand-turned, finished and sealed with water-resistant lacquer.

Materials

Steel
Wood
Parchment

Standard Finishes

Antique Brass
Ash
Ebonized Oak
White Oak
Walnut
Teak
Parchment

Dimensions

12-1/4" W x 17-3/4" H x 12-1/4" D

Notes

When ordering, please specify shape A, B, C, or D.

Retail

Metal: \$4,750
Wood: \$4,750
Teak: \$6,750
Parchment: \$5,500

Lead Time

8-10 Weeks

Customization Available - please contact us. **Weight** ~15-20 lbs