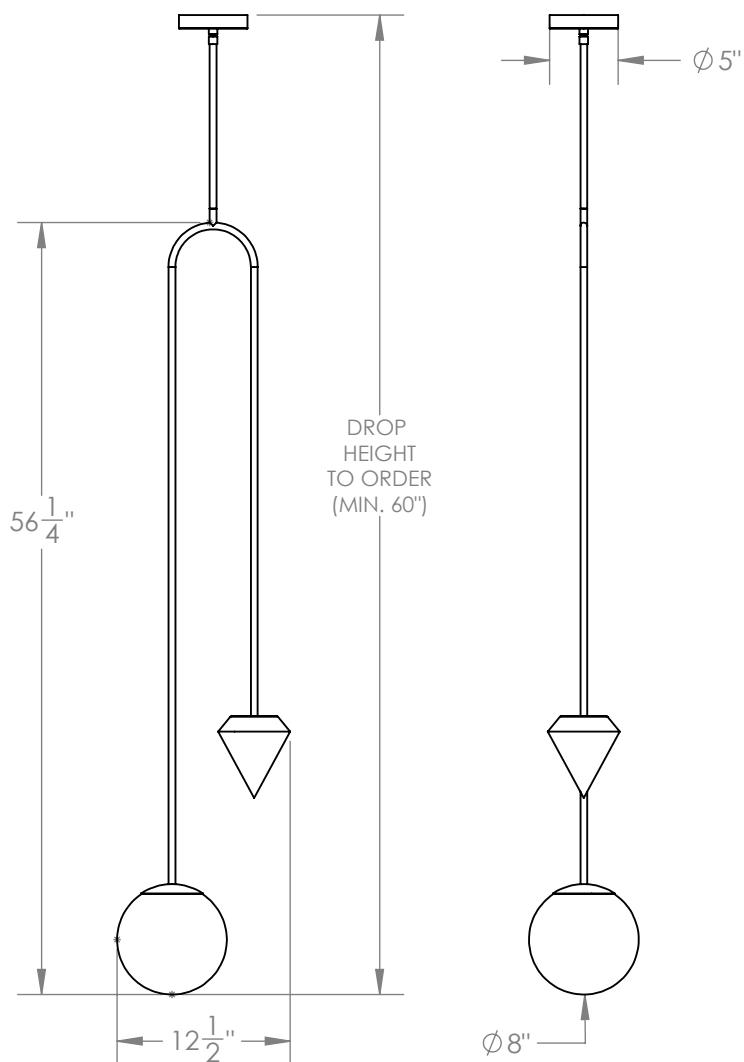


PLUMB PENDANT LIGHT - LONG



A white glass orb hangs side-by-side with our signature plumb weight, counter-balanced endpoints to a dramatic vertical arch.

Materials

Steel
Brass
Glass

Standard Finishes

Antique Brass
Satin Black
Brushed Brass
White Frosted Glass

Dimensions

12-1/2" W x 56-1/4" H x 8" D
Overall height to order - minimum 60"

Notes

Lamping: 1 E26 bulb, max 75W. 5.5W dimmable LED bulb included. 465 lumens, 2700K color temperature. 120V, UL approved. (240V available)

Retail

\$4,750

Lead Time

8-10 Weeks

Customization Available - please contact us. **Weight** ~10 lbs