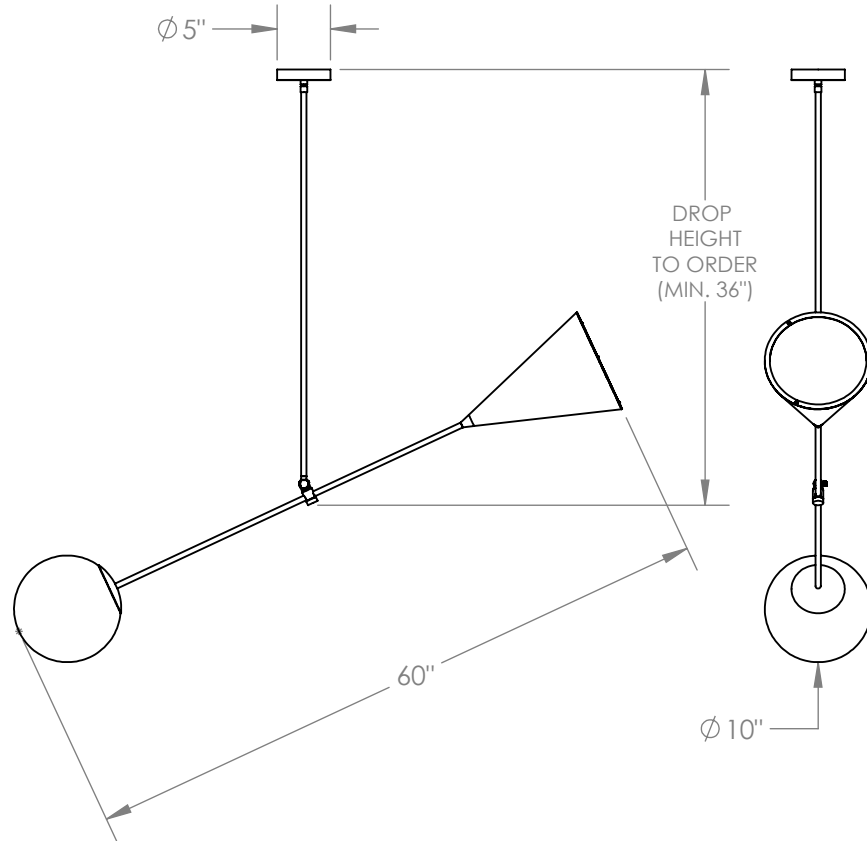


SPEAR PENDANT LIGHT - LARGE



A conical light source at one end and a handblown matte white glass orb on the other hold this piece in balance. The central hinge mechanism allows adjustment of the fixture to any desired angle.



Materials

Steel
Brass
Glass
Acrylic

Standard Finishes

Satin Black
White Frosted Glass

Dimensions

60" W x 10" D x Variable H
Overall height to order - minimum 36"

Notes

Lamping: 2 E26 bulbs, max 75W each. 5.5W dimmable LED bulbs included. 465 lumens each, 2700K color temperature. 120V, UL approved. (240V available)

Retail

\$4,750

Lead Time

8-10 Weeks

Customization Available - please contact us. **Weight** ~15 lbs