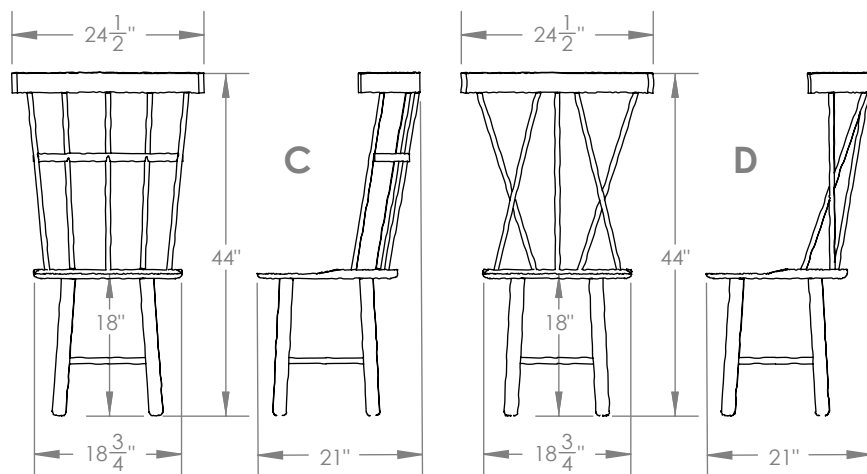
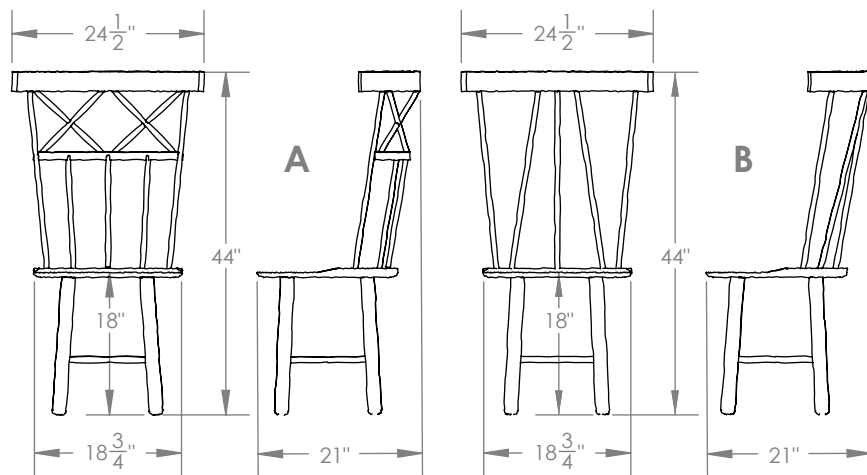


W CHAIRS



A modern interpretation of the classic Windsor chair. Made from hard maple, each spoke and leg is meticulously hand-carved with soft organic contours.

Materials

Hard Maple

Standard Finishes

Ebony Stain
Clear Satin Oil

Dimensions

24-1/2" W x 44" H x 21" D

Notes

Retail

\$9,750

Lead Time

18-20 Weeks

Customization Available - please contact us. **Weight** ~9 lbs