

Cast bronze, wood, and metal sculptures are suspended from a wall-mounted peg rack that hangs above a hand-carved bench. This piece was conceived for a hallway. An overlooked domestic space, often frequented but never truly seen, the hallway is in fact the entry point to an intimate world and should be a reflection of whomever resides within. Glyph was created to set a tone of curiosity and wonder from the first step into a personal space. The work is designed to be customized to fit clients' individual spaces.

#### Materials

Bronze  
Glass  
Hard Maple  
Steel  
Brass

#### Standard Finishes

Bench:  
Ebony Stain or Clear Satin Oil

Glyphs:  
Sulfur Bronze  
White Frosted Glass

#### Dimensions

Peg Light Assembly: 136" W x 28" H x 10-1/2" D  
Bench: 143-3/4" L x 45-1/4" H x 19-3/8" D

#### Notes

Lamping: 4 G9 bulbs, max 25W. 4.5W dimmable LED bulbs included.  
450 lumens, 2700K color temperature.  
24V LED strip. 14W, 1000 lumens, 2700K color temperature.  
120V/240V.  
Installation specific - please contact us for details.

#### Retail

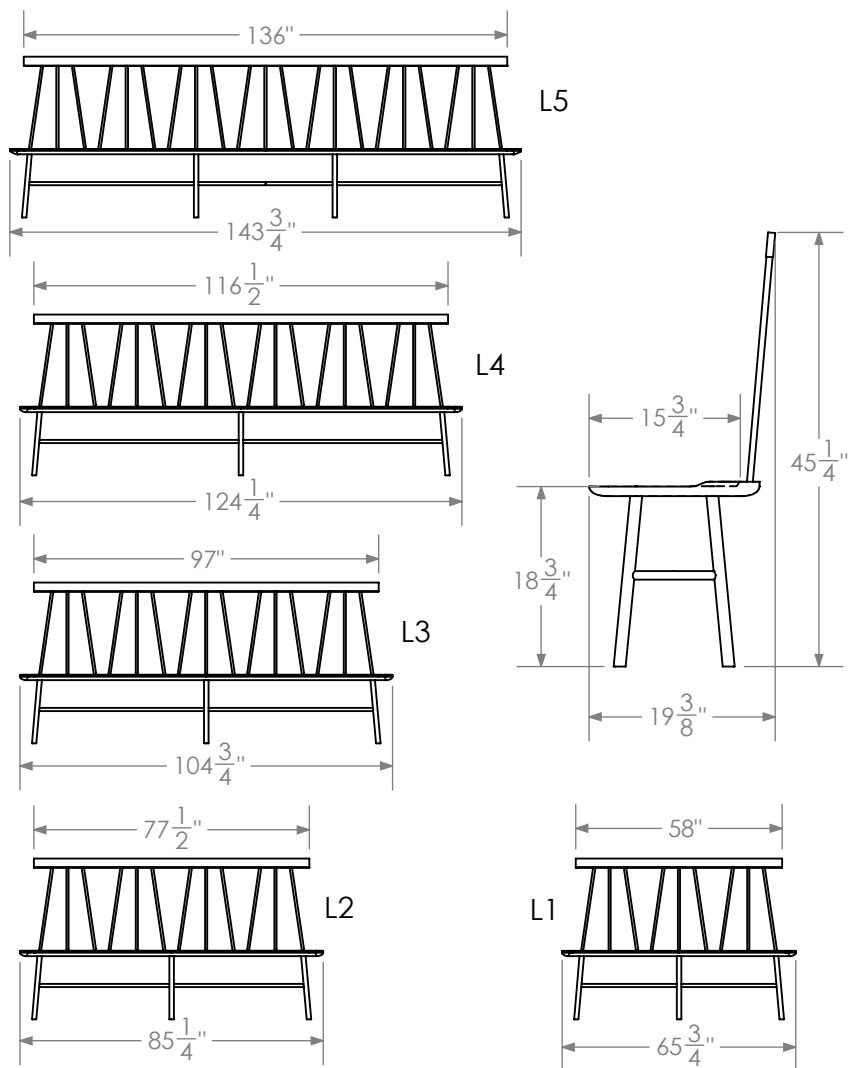
Light: \$95,000  
Bench: \$28,000

#### Lead Time

28-30 Weeks  
18-20 Weeks

**Customization** Available - please contact us. **Weight** Light: ~150 lbs  
Bench: ~65 lbs

# GLYPH BENCH



A wood bench made from hard maple, with backrest and legs meticulously hand-carved into soft organic contours.

### Materials

Hard Maple

### Standard Finishes

Ebony Stain or Clear Satin Oil

### Dimensions

- L5: 143-<sup>3</sup>/<sub>4</sub>" L x 45-<sup>1</sup>/<sub>4</sub>" H x 19-<sup>3</sup>/<sub>8</sub>" D
- L4: 124-<sup>1</sup>/<sub>4</sub>" L x 45-<sup>1</sup>/<sub>4</sub>" H x 19-<sup>3</sup>/<sub>8</sub>" D
- L3: 104-<sup>1</sup>/<sub>4</sub>" L x 45-<sup>1</sup>/<sub>4</sub>" H x 19-<sup>3</sup>/<sub>8</sub>" D
- L2: 85-<sup>1</sup>/<sub>4</sub>" L x 45-<sup>1</sup>/<sub>4</sub>" H x 19-<sup>3</sup>/<sub>8</sub>" D
- L1: 65-<sup>1</sup>/<sub>4</sub>" L x 45-<sup>1</sup>/<sub>4</sub>" H x 19-<sup>3</sup>/<sub>8</sub>" D

### Retail

- L5: \$28,000
- L4: \$25,750
- L3: \$23,500
- L2: \$21,250
- L1: \$19,000

### Weight

- L5: ~65 lbs
- L4: ~55 lbs
- L3: ~45 lbs
- L2: ~35 lbs
- L1: ~25 lbs

### Lead Time

18-20 Weeks

**Customization** Available - please contact us.