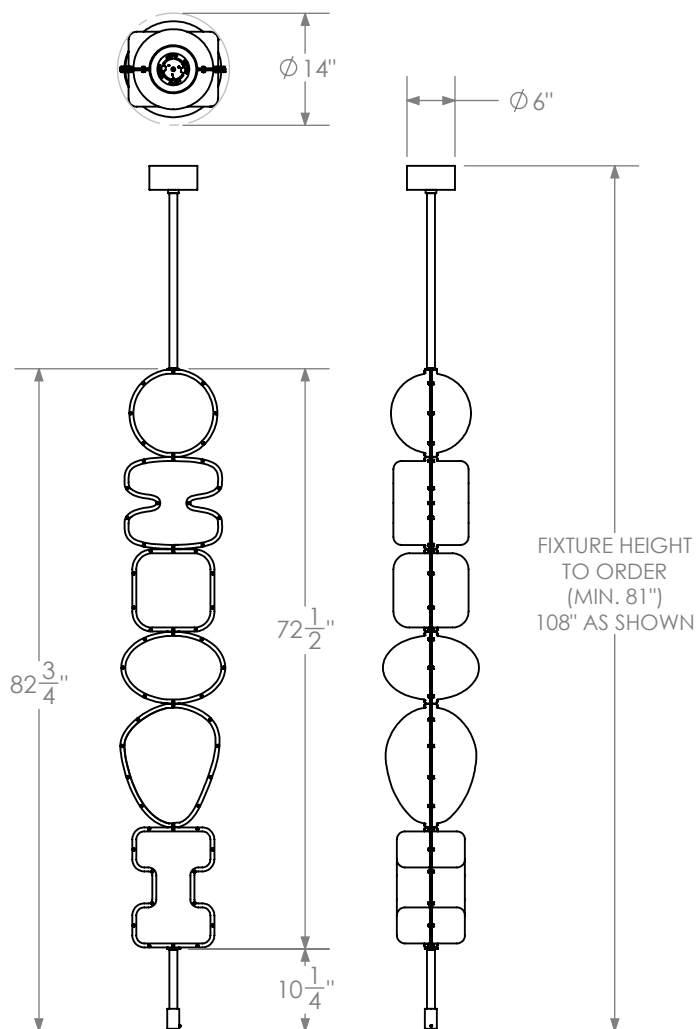


LANTERN STACK

HARDWIRED



Sculptural forms are stacked along a hand-finished tube running from floor to ceiling, with a central light source providing a soft, organic glow which accentuates the inherent texture of the fiberglass material. The outlines of the forms are punctuated by an aestheticized interpretation of rivets.

Materials

Fiberglass
Steel
Brass
Acrylic

Standard Finishes

Light Antique Nickel
Tinted Fiberglass

Dimensions

72" H x 14" D x 14" W
Overall height to order - minimum 80"

Notes

Installation requires drilling into the floor.
Lamping: 24V dimmable LED. 64W, 2800 lumens, 2700K color temperature.
120V/240VAC-to-24VDC transformer included - installed in fixture canopy.

Retail

\$21,250

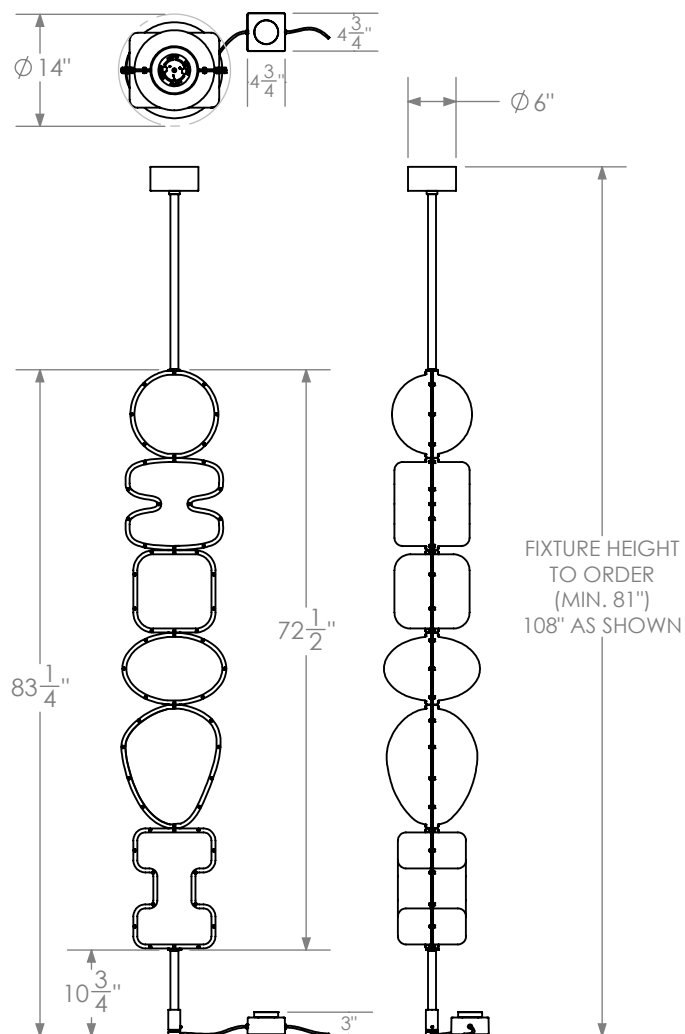
Lead Time

20-22 Weeks

Customization Available - please contact us. **Weight** ~30 lbs

LANTERN STACK

PLUG IN



Sculptural forms are stacked along a hand-finished tube running from floor to ceiling, with a central light source providing a soft, organic glow which accentuates the inherent texture of the fiberglass material. The outlines of the forms are punctuated by an aestheticized interpretation of rivets.

Materials

Fiberglass
Steel
Brass
Acrylic

Standard Finishes

Light Antique Nickel
Tinted Fiberglass

Dimensions

72" H x 14" D x 14" W
Overall height to order - minimum 80
Inline dimmer: 3-3/4" x 3-3/4" x 3"

Notes

Installation requires drilling into the floor.
Lamping: 24V dimmable LED. 64W, 2800 lumens, 2700K color temperature.
120V/240VAC-to-24VDC transformer included - installed in dimmer box.
Includes 84" cord, with inline dimmer/transformer 24" from fixture.

Retail

\$21,250

Lead Time

20-22 Weeks

Customization Available - please contact us. **Weight** ~30 lbs